

## Three-storey apartment house

Total area, m2	453,96
Total cost with assembly	€ 368 422
Price per m2	€ 812

**Included in the price:** Building, windows and exterior doors, shutters, installation, exterior finishing and roofing.

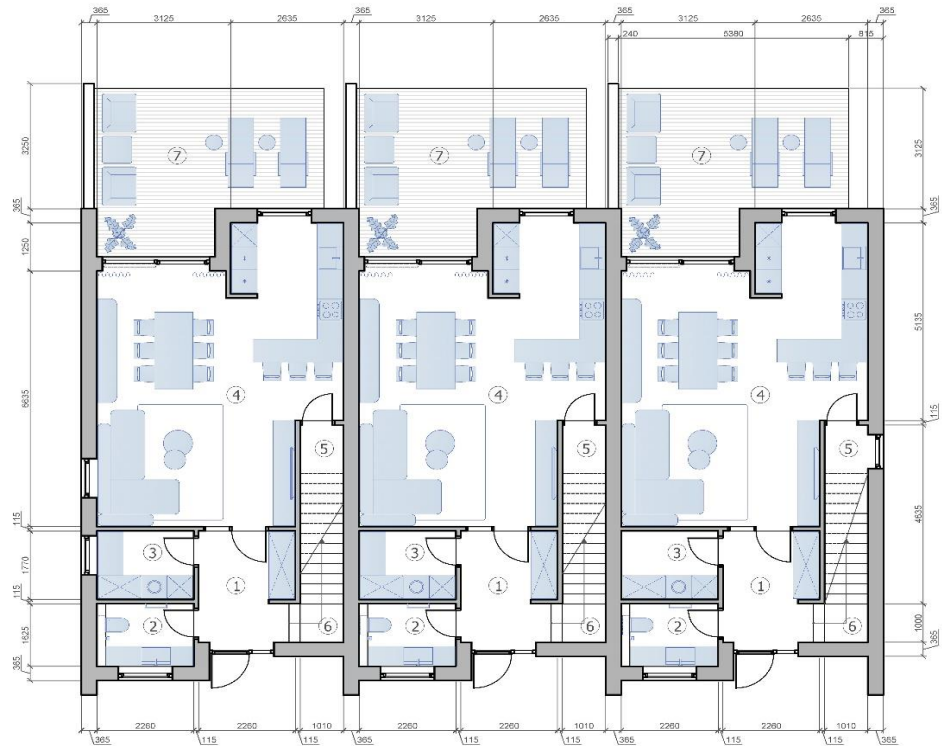
**Not included:** Foundation, delivery, crane and scaffolding, interior finishing, electrical wiring, water supply, sewerage, heating and air conditioning.

**3 three-storey apartments with 3 bedrooms, a living room studio, 2 bathrooms and a large storage room 32 m2.**



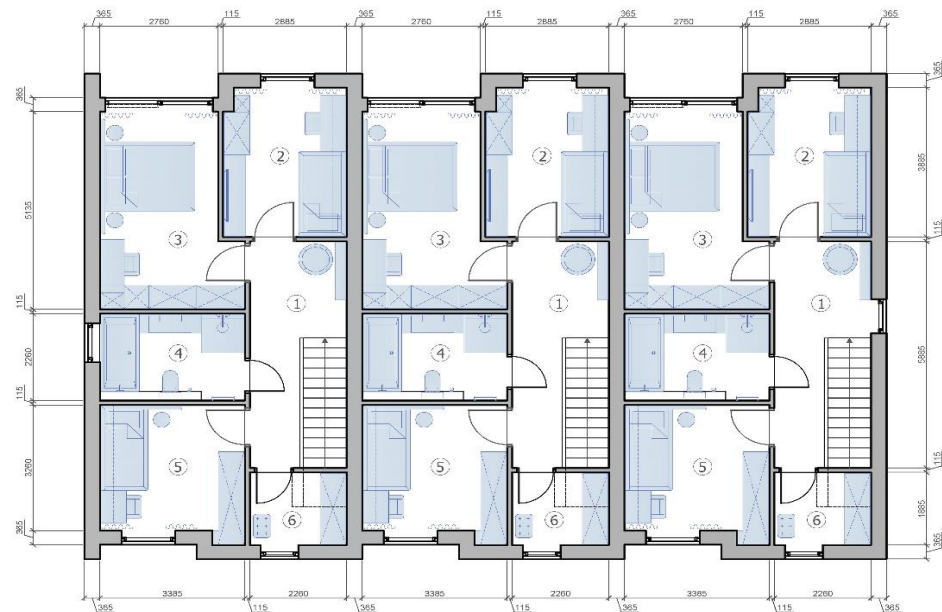
1st floor plan  
1:75 (A-3)

ROOM LAYOUT		
Nº	room name	area, m <sup>2</sup>
1	Hallway	6,3
2	Bathroom	3,7
3	Wardrobe	4,0
4	Living room studio	39,0
5	Storeroom	2,7
6	Stairway	3,3
floor area		59,0
apartment area		151,3
7	Terrace	20,3



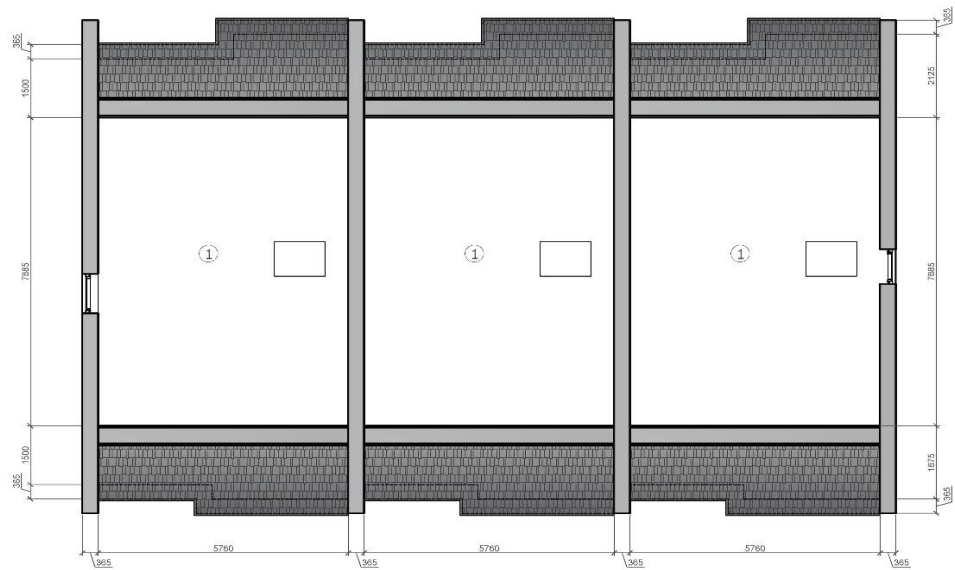
2nd floor plan  
1:75 (A-3)

ROOM LAYOUT		
Nº	room name	area, m <sup>2</sup>
1	Hall	9,9
2	Bedroom	11,2
3	Bedroom	15,6
4	Bathroom	7,7
5	Bedroom	11,5
6	Wardrobe	4,4
floor area		60,3
apartment area		151,3



3rd floor plan  
1:75 (A-3)

ROOM LAYOUT		
Nº	room name	area, m2
1	Storage room	32,0
floor area		32,0
apartment area		151,3



## Three-storey apartment house

Timber frame-panel construction set

Thermal transmission losses through the external structures of the house (external walls, roof, windows and doors) comply with KfW Effizienzhaus 40+.

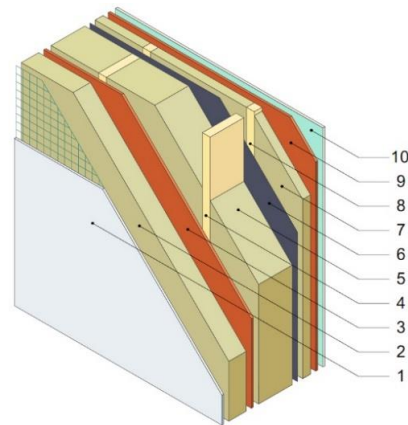
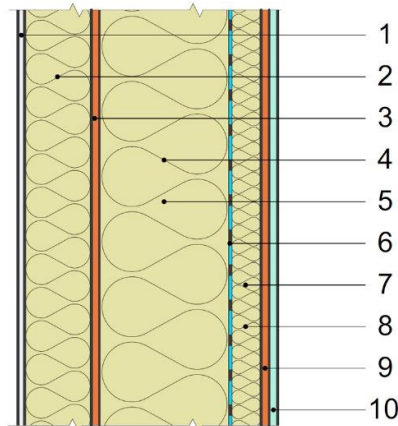
Energy efficiency U, W/m<sup>2</sup>K, max. 0,18

Internal house area, m<sup>2</sup> 453,96

	Thickness, mm	U, W/m <sup>2</sup> K	Area, m <sup>2</sup> / Number, pcs	Price, m <sup>2</sup> /price, pcs	Total
<b>Exterior walls, plaster, painting:</b>					
IZOVAT basalt insulation, OSB 3, beams, plasterboard, finishing	387	0,11	339,50	€ 152	€ 51 752
<b>Double internal walls:</b>					
IZOVAT basalt insulation, OSB 3, beams, plasterboard	314	0,16	87,54	€ 162	€ 14 158
<b>Partitions:</b>					
IZOVAT basalt insulation, OSB 3, beams, plasterboard	144	0,36	260,81	€ 104	€ 27 225
<b>Ceilings:</b>					
IZOVAT basalt insulation, OSB 3, beams, plasterboard	310	0,15	449,87	€ 148	€ 66 683
<b>Pitched roof:</b>					
IZOVAT basalt insulation, OSB 3, beams, plasterboard	413	0,11	266,11	€ 150	€ 39 929
<b>Windows, roller shutters:</b>					
Rehau Synego profile Automatic overhead window slides	-	0,68	85,99	€ 597	€ 51 310
<b>Facade and roof finishing materials:</b>					
decorative facade plaster, facade paint, ceramic tiles, drainage system			453,96	€ 55	€ 24 757
<b>Assembly of the house frame</b>			453,96	€ 85	€ 38 587
<b>Exterior finishing of the facade and roof</b>			453,96	€ 119	€ 54 021
<b>Total cost with assembly</b>				€	<b>368 422</b>
<b>Price per m<sup>2</sup> of internal area</b>				€	<b>812</b>

## Exterior walls - plaster facade

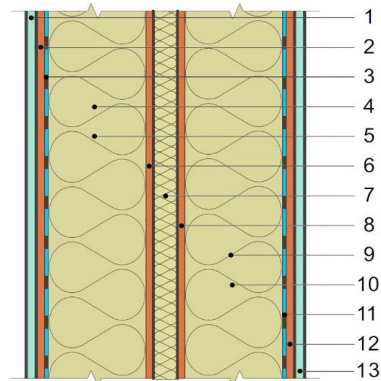
Thickness, mm	386,60
Energy efficiency U, W/m <sup>2</sup> K	0,11
Area, m <sup>2</sup>	425,49
Openings, m <sup>2</sup>	85,99
<b>Calculation area, m<sup>2</sup></b>	<b>339,50</b>



Materials	Thickness, mm
Ceresit CT 85 FLEX Mortar facade plaster	10,00
Ceresit CT325 Glass-Fibre Mesh 160 g /m <sup>2</sup>	1
Basalt insulation material IZOVAT, 135 kg/m <sup>3</sup> 100 mm	2
OSB 3 Egger 12 mm	3
Beam 45*195 mm C24 CE	4
Basalt insulation material IZOVAT, 40 kg/m <sup>3</sup> 100 mm	5
Basalt insulation material IZOVAT, 40 kg/m <sup>3</sup> 100 mm	195,00
Vapour barrier	6
Basalt insulation material IZOVAT, 40 kg/m <sup>3</sup> 50 mm	7
Lath 45x45 mm	8
OSB 3 Egger 12 mm	9
Plasterboard	10
<b>Total thickness, mm</b>	<b>386,60</b>
<b>Total cost</b>	<b>€ 51 751,73</b>
<b>Price per m<sup>2</sup> calculated area</b>	<b>€ 152,44</b>

## Double internal walls REI 90

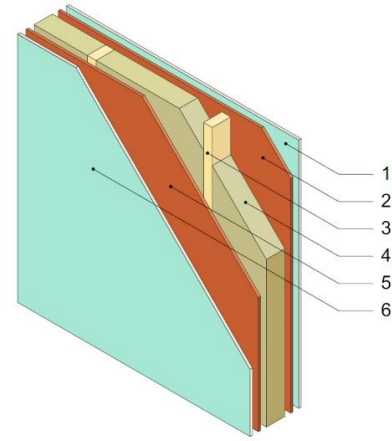
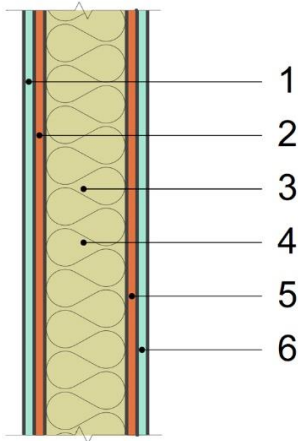
Thickness, mm	314,20
Energy efficiency U, W/m <sup>2</sup> K	0,16
Area, m <sup>2</sup>	87,54
Openings, m <sup>2</sup>	0,00
<b>Calculation area, m<sup>2</sup></b>	<b>87,54</b>



Materials		Thickness, mm
Plasterboard	1	12,50
Plasterboard	2	12,50
Vapour barrier	3	0,10
Beam 45*95 mm C24 CE	4	95,00
Basalt insulation material IZOVAT, 40 kg/m <sup>3</sup> 100 mm	5	
OSB 3 Egger 12 mm	2	12,00
Basalt insulation material IZOVAT, 40 kg/m <sup>3</sup> 100 mm	7	50,00
OSB 3 Egger 12 mm	2	12,00
Beam 45*95 mm C24 CE	9	95,00
Basalt insulation material IZOVAT, 40 kg/m <sup>3</sup> 100 mm	10	
Vapour barrier	11	0,10
Plasterboard	2	12,50
Plasterboard	13	12,50
<b>Total thickness, mm</b>		<b>314,20</b>
<b>Total cost</b>	€	<b>14 157,53</b>
<b>Price per m<sup>2</sup> calculated area</b>	€	<b>161,73</b>

## Partitions

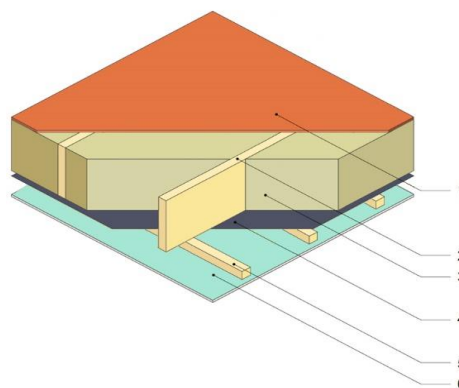
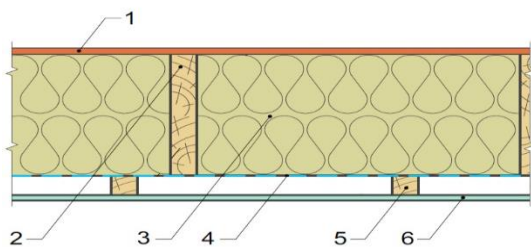
Thickness, mm	144,00
Energy efficiency index, U, W/m <sup>2</sup> K	0,36
Area, m <sup>2</sup>	311,84
Openings, m <sup>2</sup>	51,03
<b>Calculation area, m<sup>2</sup></b>	<b>260,81</b>



Materials	Thickness, mm	
Plasterboard	1	12,50
OSB 3 Egger 12 mm	2	12,00
Beam 45*95 mm C24 CE	3	95,00
Basalt insulation material IZOVAT, 40 kg/m <sup>3</sup> 100 mm	4	100,00
OSB 3 Egger 12 mm	5	12,00
Plasterboard	6	12,50
<b>Total thickness, mm</b>		<b>144,00</b>
<b>Total cost</b>	€	<b>27 224,80</b>
<b>Price per m<sup>2</sup> calculated area</b>	€	<b>104,39</b>

## Ceilings

Thickness, mm	309,60
Energy efficiency index, U, W/m <sup>2</sup> K	0,15
Area, m <sup>2</sup>	472,62
Openings, m <sup>2</sup>	22,75
<b>Calculation area, m<sup>2</sup></b>	<b>449,87</b>

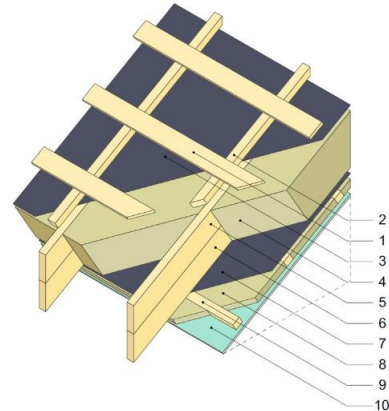
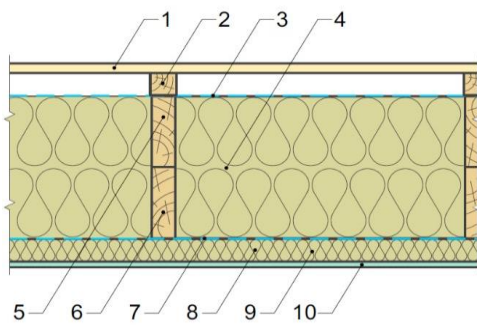


Materials	Thickness, mm	
OSB 3 Egger 22 mm	1	22,00
Glued beam 45*2*245 mm C24 CE	2	
Basalt insulation material IZOVAT, 40 kg/m <sup>3</sup> 100 mm	3	245,00
Basalt insulation material IZOVAT, 40 kg/m <sup>3</sup> 100 mm		
Basalt insulation material IZOVAT, 40 kg/m <sup>3</sup> 50 mm		
SIGA MajRex vapour barrier	4	0,10
Lath 30x45 mm	5	30,00
Knauf plasterboard	6	12,50
<b>Total thickness, mm</b>		<b>309,60</b>
<b>Total cost</b>	<b>€</b>	<b>66 683,28</b>
<b>Price per m<sup>2</sup> calculated area</b>	<b>€</b>	<b>148,23</b>



## Pitched roof

Thickness, mm	412,70
Energy efficiency index, U, W/m <sup>2</sup> K	0,11
<b>Calculation area, m<sup>2</sup></b>	<b>266,11</b>



Materials	Thickness, mm	
Lath 20x100 mm	1	20,00
Lath 45x50 mm	2	45,00
Super defusion membrane	4	0,10
Beam 45*145 mm C24 CE	5	
Beam 45*145 mm C24 CE	6	
Basalt insulation material IZOVAT, 40 kg/m <sup>3</sup> 100 mm		290,00
Basalt insulation material IZOVAT, 40 kg/m <sup>3</sup> 100 mm	7	
Basalt insulation material IZOVAT, 40 kg/m <sup>3</sup> 100 mm		
Vapour barrier	8	0,10
Basalt insulation material IZOVAT, 40 kg/m <sup>3</sup> 50 mm	9	45,00
Lath 45x50 mm	10	
Plasterboard	11	12,50
<b>Total thickness, mm</b>		<b>412,70</b>
<b>Total cost</b>	€	<b>39 929,44</b>
<b>Price per m<sup>2</sup> calculated area</b>	€	<b>150,05</b>

## Windows

Calculation area, m<sup>2</sup>

85,99



### Materials

#### Rehau Synego window profile (installation in wall panels included)

Profile thickness 80mm (depends on window openings)	€	35 285,19
Glazing 4i-16ArTep-4-16ArTep-4i, 44mm Ug=0.57 W/m <sup>2</sup> K		
Fittings MACO, G-U		
Alenor sealing tapes	€	1 836,47
Aluminium window sills	€	966,14
Automatic window slides, anthracite colour	€	13 222,58
Average heat losses of window constructions Uw, W/m <sup>2</sup> K 0.68		
<b>Total cost</b>	<b>€</b>	<b>51 310,38</b>
<b>Price per m<sup>2</sup> calculated area</b>	<b>€</b>	<b>596,70</b>

## Facade and roof finishing

Calculated facade area, m <sup>2</sup>	<b>441,35</b>
Calculated roof area, m <sup>2</sup>	<b>266,11</b>



### Materials

Decorative facade plaster	€	10 368,40
Facade paint	€	1 885,16
Ceramic roof tiles (set)	€	9 093,21
Drainage system	€	3 409,95
<b>Total cost</b>	<b>€</b>	<b>24 756,72</b>