

Two-storey residential house

Total area, m2	234,40
Total cost with assembly	€ 198 817
Price per m2	€ 848

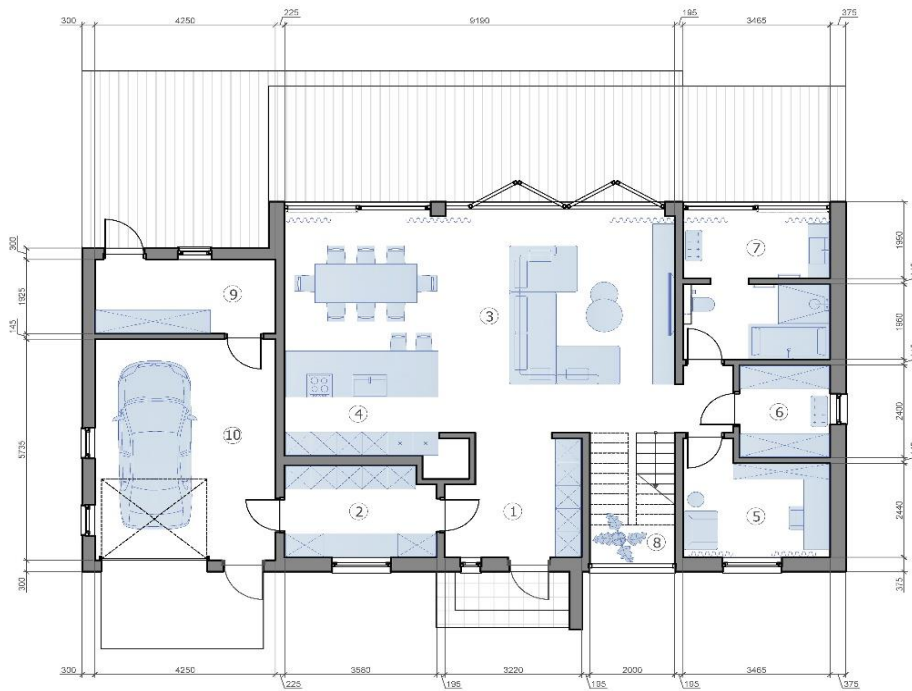
Included in the price: Building, windows and exterior doors, shutters, installation, exterior finishing, roofing.

Not included: Foundation, delivery, crane and scaffolding, interior finishing, electrical wiring, water supply, sewerage, heating and air conditioning.

House - 2 floors, 4 bedrooms, 3 bathrooms, kitchen - living room 55.7 m2, garage, technical room, large terrace 21 m2.

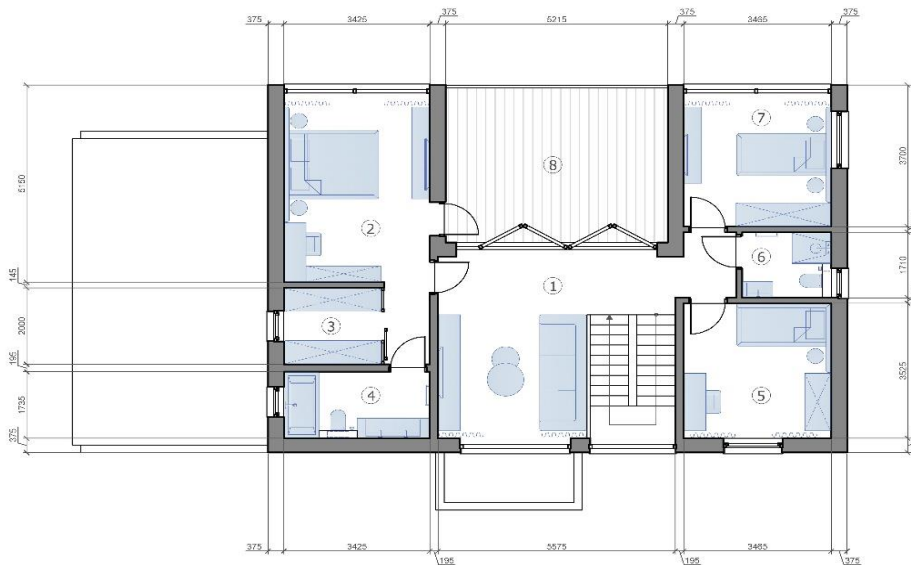


1st floor plan. 1:75 (A-3)



ROOM LAYOUT		
Nº	room name	area, m2
1	Hallway	9,3
2	Wardrobe	8,3
3	Living room	33,5
4	Kitchen	25,2
5	Cabinet	9,3
6	Wardrobe	5,2
7	Bathroom	12,8
8	Stairway	6,5
9	Technical room	8,2
10	Garage	24,4
floor area		142,6
house area		222,1

2nd floor plan. 1:75 (A-3)



ROOM LAYOUT		
Nº	room name	area, m2
1	Hall	22,9
2	Bedroom	18,7
3	Wardrobe	4,4
4	Bedroom	6,0
5	Bedroom	12,2
6	Bathroom	3,6
7	Bedroom	11,7
floor area		79,5
house area		222,1
8	Terrace	21,8

Two-storey residential house

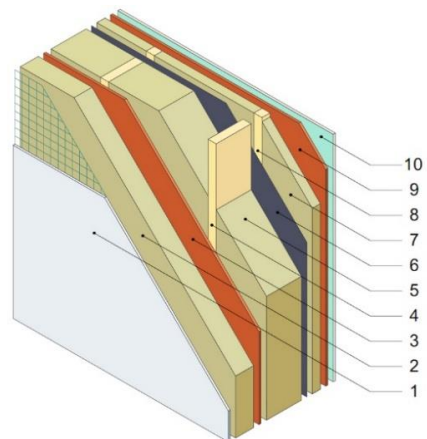
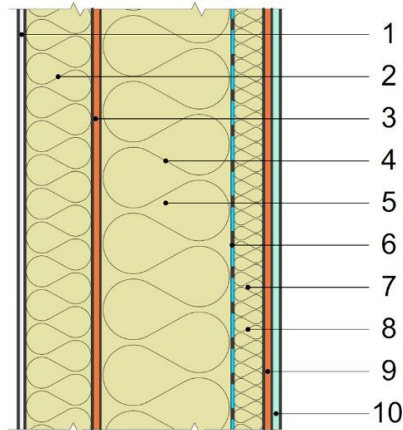
Timber frame-panel construction set

Thermal transmission losses through the external structures of the house (external walls, roof, windows and doors) comply with KfW Effizienzhaus 40+.

Energy efficiency U, W/m²K, max.							0,24
Internal house area, m²							234,4
	Thickness, mm	U, W/m²K	Area, m²/ Number, pcs	Price, m²/price, pcs		Total	
External walls, plaster, painting:							
IZOVAT basalt insulation, OSB 3, beams, plasterboard, finishing	387	0,11	61,10	€ 152	€	9 314	
External walls ventilated facade:							
IZOVAT basalt insulation, OSB 3, beams, plasterboard, finishing	337	0,16	86,39	€ 167	€	14 426	
Internal walls:							
IZOVAT basalt insulation, OSB 3, beams, plasterboard	244	0,19	93,91	€ 132	€	12 428	
Partitions:							
IZOVAT basalt insulation, OSB 3, beams, plasterboard	144	0,36	73,44	€ 104	€	7 666	
Ceilings:							
IZOVAT basalt insulation, OSB 3, beams, plasterboard	310	0,15	92,54	€ 148	€	13 716	
Pitched roof:							
IZOVAT basalt insulation, OSB 3, beams, plasterboard	413	0,11	171,53	€ 150	€	25 647	
Windows, roller shutters:							
Rehau Synego profile Automatic overhead window slides	-	0,68	91,20	€ 597	€	54 419	
Facade and roof finishing materials:							
decorative facade plaster, facade paint, ceramic tiles, drainage system			234,40	€ 57	€	13 383	
Assembly of the house frame			234,40	€ 85	€	19 924	
Exterior finishing of the facade and roof			234,40	€ 119	€	27 894	
Total cost with assembly				€		198 817	
Price per m² of internal area				€		848	

Exterior walls - plaster facade

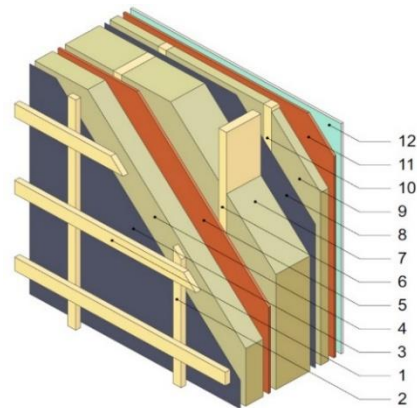
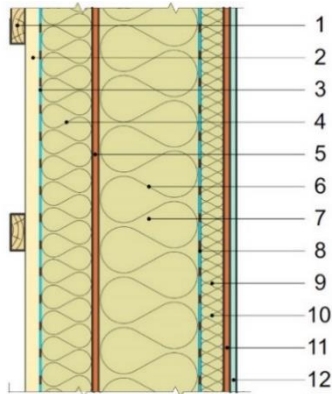
Thickness, mm	386,60
Energy efficiency U, W/m ² K	0,11
Area, m ²	160,90
Openings, m ²	99,80
Calculation area, m²	61,10



Materials	Thickness, mm
Ceresit CT 85 FLEX Mortar facade plaster	10,00
Ceresit CT325 Glass-Fibre Mesh 160 g /m ²	1
Basalt insulation material IZOVAT, 135 kg/m ³ 100 mm	2
OSB 3 Egger 12 mm	3
Beam 45*195 mm C24 CE	4
Basalt insulation material IZOVAT, 40 kg/m ³ 100 mm	5
Basalt insulation material IZOVAT, 40 kg/m ³ 100 mm	195,00
Vapour barrier	6
Basalt insulation material IZOVAT, 40 kg/m ³ 50 mm	7
Lath 45x45 mm	8
OSB 3 Egger 12 mm	9
Plasterboard	10
Total thickness, mm	386,60
Total cost	€ 9 313,79
Price per m² calculated area	€ 152,44

External walls - ventilated facade

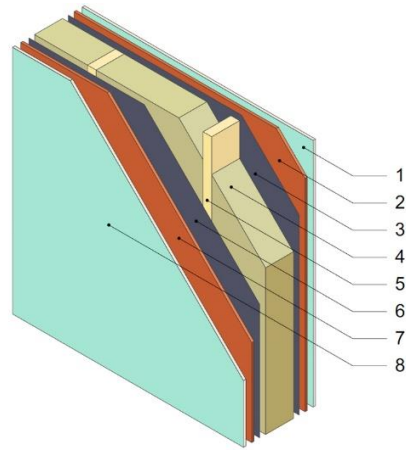
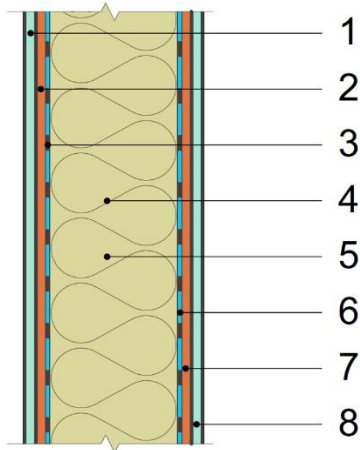
Thickness, mm	336,70
Energy efficiency U, W/m ² K	0,16
Area, m ²	86,39
Openings, m ²	0,00
Calculation area, m²	86,39



Materials		Thickness, mm
Horizontal lath 30x70 mm	1	30,00
Vertical lath 30x50mm	2	30,00
Super defusion membrane	3	0,10
OSB 3 Egger 12 mm	5	12,00
Beam 45*195 mm C24 CE	6	
Basalt insulation material IZOVAT, 40 kg/m ³ 100 mm	7	195,00
Basalt insulation material IZOVAT, 40 kg/m ³ 100 mm		
Vapour barrier	8	0,10
Basalt insulation material IZOVAT, 40 kg/m ³ 50 mm	9	45,00
Lath 45x45 mm	10	
OSB 3 Egger 12 mm	11	12,00
Plasterboard	12	12,50
Total thickness, mm		336,70
Total cost	€	14 426,15
Price per m² calculated area	€	166,99

Inner walls

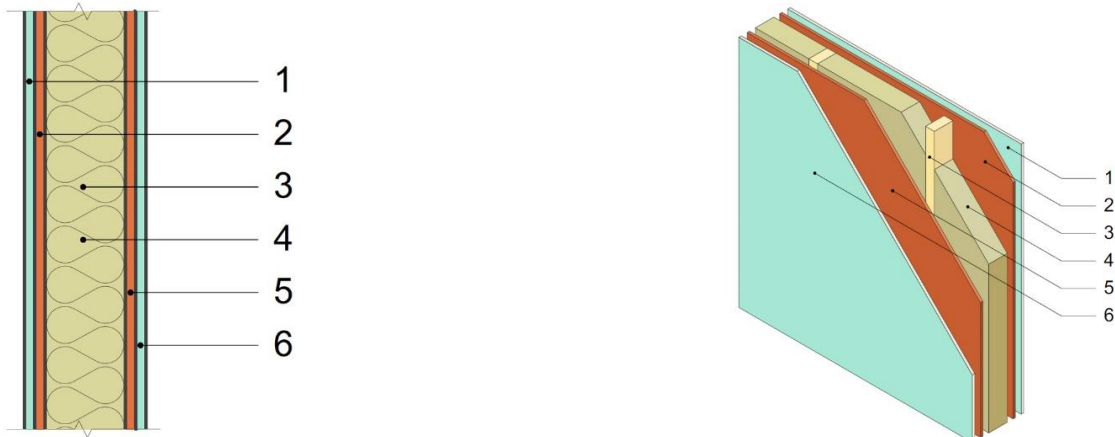
Thickness, mm	244,20
Energy efficiency U, W/m ² K	0,19
Area, m ²	99,58
Openings, m ²	5,67
Calculation area, m²	93,91



Materials	Thickness, mm
Plasterboard	1 12,50
OSB 3 Egger 12 mm	2 12,00
Vapour barrier	3 0,10
Beam 45*95 mm C24 CE	4
Basalt insulation material IZOVAT, 40 kg/m ³ 100 mm	5 195,00
Basalt insulation material IZOVAT, 40 kg/m ³ 100 mm	
Vapour barrier	6 0,10
OSB 3 Egger 12 mm	7 12,00
Plasterboard	8 12,50
Total thickness, mm	244,20
Total cost	€ 12 427,60
Price per m² calculated area	€ 132,34

Partitions

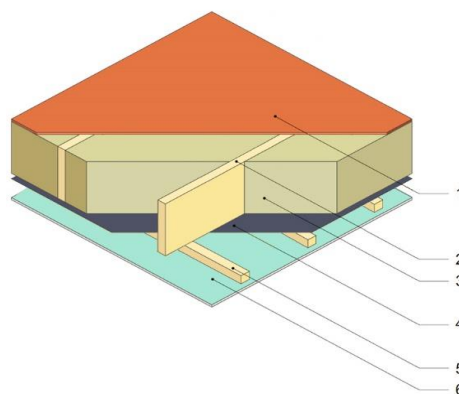
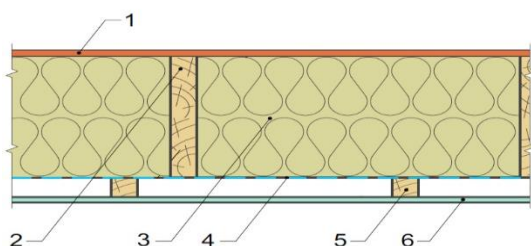
Thickness, mm	144,00
Energy efficiency index, U, W/m ² K	0,36
Area, m ²	86,67
Openings, m ²	13,23
Calculation area, m²	73,44



Materials	Thickness, mm	
Plasterboard	1	12,50
OSB 3 Egger 12 mm	2	12,00
Beam 45*95 mm C24 CE	3	95,00
Basalt insulation material IZOVAT, 40 kg/m ³ 100 mm	4	
OSB 3 Egger 12 mm	5	12,00
Plasterboard	6	12,50
Total thickness, mm		144,00
Total cost	€	7 666,24
Price per m² calculated area	€	104,39

Ceilings

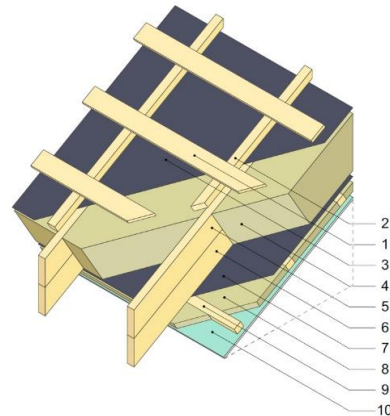
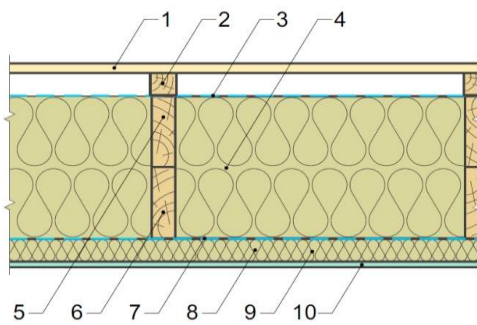
Thickness, mm	309,60
Energy efficiency index, U, W/m ² K	0,15
Area, m ²	121,44
Openings, m ²	28,90
Calculation area, m²	92,54



Materials	Thickness, mm
OSB 3 Egger 22 mm	1 22,00
Glued beam 45*2*245 mm C24 CE	2
Basalt insulation material IZOVAT, 40 kg/m ³ 100 mm	3 245,00
Basalt insulation material IZOVAT, 40 kg/m ³ 100 mm	
Basalt insulation material IZOVAT, 40 kg/m ³ 50 mm	4 0,10
SIGA MajRex vapour barrier	
Lath 30x45 mm	5 30,00
Knauf plasterboard	6 12,50
Total thickness, mm	309,60
Total cost	€ 13 716,49
Price per m² calculated area	€ 148,23

Pitched roof

Thickness, mm	412,70
Energy efficiency index, U, W/m ² K	0,11
Calculation area, m²	171,53



Materials	Thickness, mm	
Lath 20x100 mm	1	20,00
Lath 45x50 mm	2	45,00
Super defusion membrane	4	0,10
Timber trusses	5	
Basalt insulation material IZOVAT, 40 kg/m ³ 100 mm		290,00
Basalt insulation material IZOVAT, 40 kg/m ³ 100 mm	7	
Basalt insulation material IZOVAT, 40 kg/m ³ 100 mm		
Vapour barrier	8	0,10
Basalt insulation material IZOVAT, 40 kg/m ³ 50 mm	9	45,00
Lath 45x50 mm	10	
Plasterboard	11	12,50
Total thickness, mm		412,70
Total cost	€	25 647,17
Price per m² calculated area	€	149,52

Windows

Calculation area, m²

91,20



Materials

Rehau Synego window profile (installation in wall panels included)

Profile thickness 80mm (depends on window openings)	€	37 423,06
---	---	-----------

Glazing 4i-16ArTep-4-16ArTep-4i, 44mm Ug=0.57 W/m²K

Fittings MACO, G-U

Alenor sealing tapes	€	1 947,74
----------------------	---	----------

Aluminium window sills	€	1 024,68
------------------------	---	----------

Automatic window slides, anthracite colour	€	14 023,72
--	---	-----------

Average heat losses of window constructions U_w , W/m²K 0.68

Total cost	€	54 419,20
-------------------	----------	------------------

Price per m² calculated area	€	596,70
--	----------	---------------

Facade and roof finishing

Calculated facade area, m ²	191,74
Calculated roof area, m ²	171,53



Materials

Decorative facade plaster	€	4 504,37
Facade paint	€	818,98
Ceramic roof tiles (set)	€	5 861,33
Drainage system	€	2 198,00
Total cost	€	13 382,68
