

Residential one-storey duplex

Total area, m2	175,00
Total cost	€ 199 976
Price per m2	€ 1 143

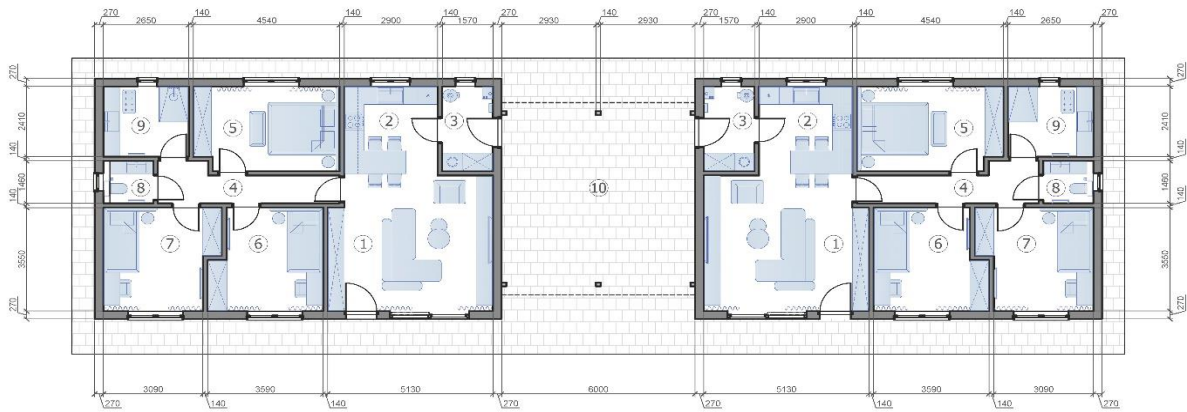
Included in the price: Building, windows and exterior doors, shutters, installation, exterior finishing and roofing.

Not included: Foundation, delivery, crane and scaffolding, interior finishing, electrical wiring, water supply, sewerage, heating and air conditioning.

House - 1 floor, 6 bedrooms, 4 bathrooms, kitchen - living room 32.1 m2, furnace room, carport 39.6 m2.



House plan. 1:100 (A-3)



ROOM LAYOUT

Nº	room name	area, m2	Nº	room name	area, m2
1	Living room	23,3	8	Bathroom	2,3
2	Kitchen	8,8	9	Shower room	6,4
3	Furnace room	4,6			
4	Corridor	6,2		total area	88,2
5	Bedroom	12,9			
6	Bedroom	11,7	10	Carport	39,6
7	Bedroom	12,0			

Residential one-storey duplex

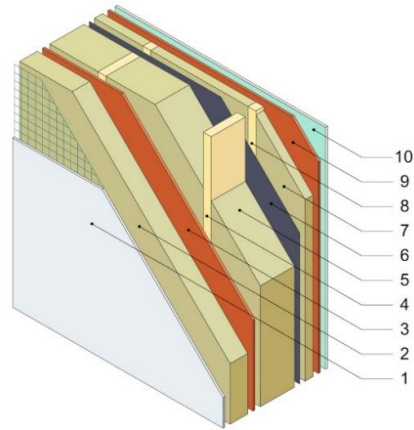
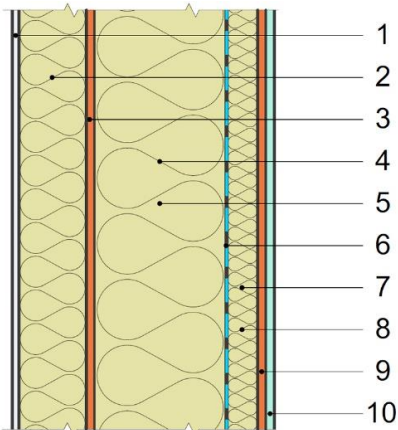
Timber frame-panel construction set

Thermal transmission losses through the external structures of the house (external walls, roof, windows and doors) comply with KfW Effizienzhaus 40+.

							0,13
Energy efficiency U, W/m ² K, max.							
Internal house area, m ²							175
	Thickness, mm	U, W/m ² K	Area, m ² / Number, pcs	Price, m ² /price, pcs			Total
Exterior walls, plaster, painting:							
IZOVAT basalt insulation, OSB 3, beams, plasterboard, finishing	387	0,11	237,68	€ 152	€		36 231
Partitions:							
IZOVAT basalt insulation, OSB 3, beams, plasterboard	144	0,36	199,54	€ 104	€		20 829
Pitched roof:							
IZOVAT basalt insulation, OSB 3, beams, plasterboard	413	0,11	359,00	€ 150	€		53 678
Windows, roller shutters:							
Rehau Synego profile Automatic overhead window slides	-	0,68	47,08	€ 597	€		28 093
Facade and roof finishing materials:							
decorative facade plaster, facade paint, ceramic tiles, drainage system			175,00		€		25 446
Assembly of the house frame			175,00	€ 85	€		14 875
Exterior finishing of the facade and roof			175,00	€ 119	€		20 825
Total cost with assembly				€			199 976
Price per m² of internal area				€			1 143

Exterior walls - plaster facade

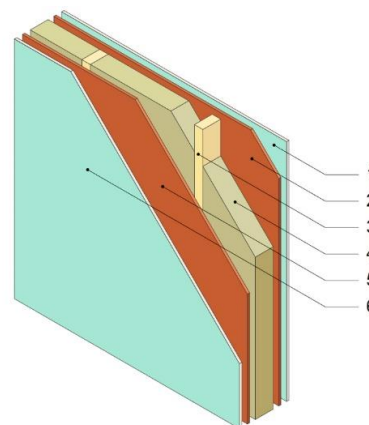
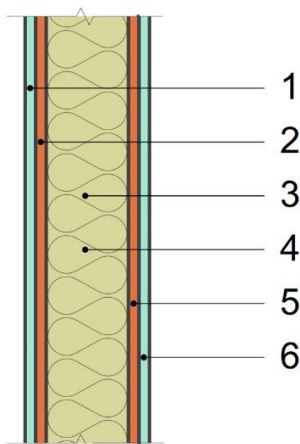
Thickness, mm	386,60
Energy efficiency U, W/m ² K	0,11
Area, m ²	285,16
Openings, m ²	47,48
Calculation area, m²	237,68



Materials	Thickness, mm
Ceresit CT 85 FLEX Mortar facade plaster	10,00
Ceresit CT325 Glass-Fibre Mesh 160 g /m ²	1
Basalt insulation material IZOVAT, 135 kg/m ³ 100 mm	2
OSB 3 Egger 12 mm	3
Beam 45*195 mm C24 CE	4
Basalt insulation material IZOVAT, 40 kg/m ³ 100 mm	5
Basalt insulation material IZOVAT, 40 kg/m ³ 100 mm	195,00
Vapour barrier	6
Basalt insulation material IZOVAT, 40 kg/m ³ 50 mm	7
Lath 45x45 mm	8
OSB 3 Egger 12 mm	9
Plasterboard	10
Total thickness, mm	386,60
Total cost	€ 36 230,79
Price per m² calculated area	€ 152,44

Partitions

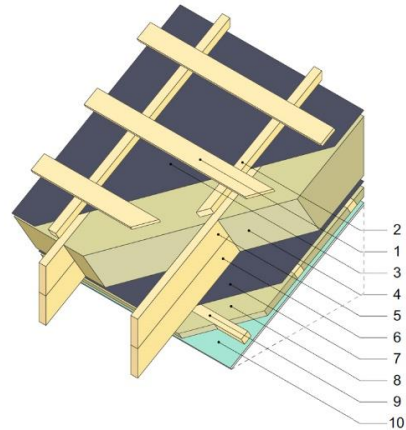
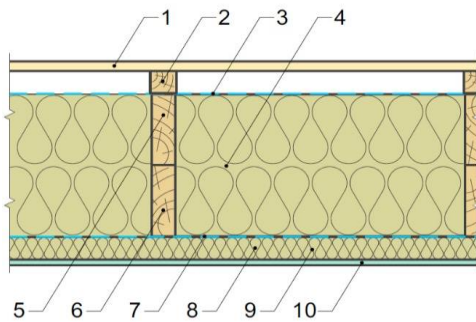
Thickness, mm	144,00
Energy efficiency index, U, W/m ² K	0,36
Area, m ²	226,00
Openings, m ²	26,46
Calculation area, m²	199,54



Materials	Thickness, mm	
Plasterboard	1	12,50
OSB 3 Egger 12 mm	2	12,00
Beam 45*95 mm C24 CE	3	95,00
Basalt insulation material IZOVAT, 40 kg/m ³ 100 mm	4	
OSB 3 Egger 12 mm	5	12,00
Plasterboard	6	12,50
Total thickness, mm		144,00
Total cost	€	20 829,09
Price per m² calculated area	€	104,39

Pitched roof

Thickness, mm	412,70
Energy efficiency index, U, W/m ² K	0,11
Calculation area, m²	359,00



Materials	Thickness, mm	
Lath 20x100 mm	1	20,00
Lath 45x50 mm	2	45,00
Super defusion membrane	4	0,10
Timber trusses	5	
Basalt insulation material IZOVAT, 40 kg/m ³ 100 mm		290,00
Basalt insulation material IZOVAT, 40 kg/m ³ 100 mm	7	
Basalt insulation material IZOVAT, 40 kg/m ³ 100 mm		
Vapour barrier	8	0,10
Basalt insulation material IZOVAT, 40 kg/m ³ 50 mm	9	45,00
Lath 45x50 mm	10	
Plasterboard	11	12,50
Total thickness, mm		412,70
Total cost	€	53 677,70
Price per m² calculated area	€	149,52

Windows

Calculation area, m²

47,08



Materials

Rehau Synego window profile (installation in wall panels included)

Profile thickness 80mm (depends on window openings)	€	19 318,84
---	---	-----------

Glazing 4i-16ArTep-4-16ArTep-4i, 44mm Ug=0.57 W/m ² K		
--	--	--

Fittings MACO, G-U		
--------------------	--	--

Alenor sealing tapes	€	1 005,48
----------------------	---	----------

Aluminium window sills	€	528,97
------------------------	---	--------

Automatic window slides, anthracite colour	€	7 239,44
--	---	----------

Average heat losses of window constructions Uw, W/m ² K 0.68		
---	--	--

Total cost	€	28 092,72
-------------------	----------	------------------

Price per m² calculated area	€	596,70
--	----------	---------------

Facade and roof finishing

Calculated facade area, m ²	308,98
Calculated roof area, m ²	359,00



Materials		
Decorative facade plaster	€	7 258,79
Facade paint	€	1 319,78
Ceramic roof tiles (set)	€	12 267,34
Drainage system	€	4 600,25
Total cost	€	25 446,16