

One-storey residential house

Total area, m2	141,60
Total cost with assembly	€ 126 387
Price per m2	€ 893

Included in the price: Building, windows and exterior doors, shutters, installation, exterior finishing and roofing.

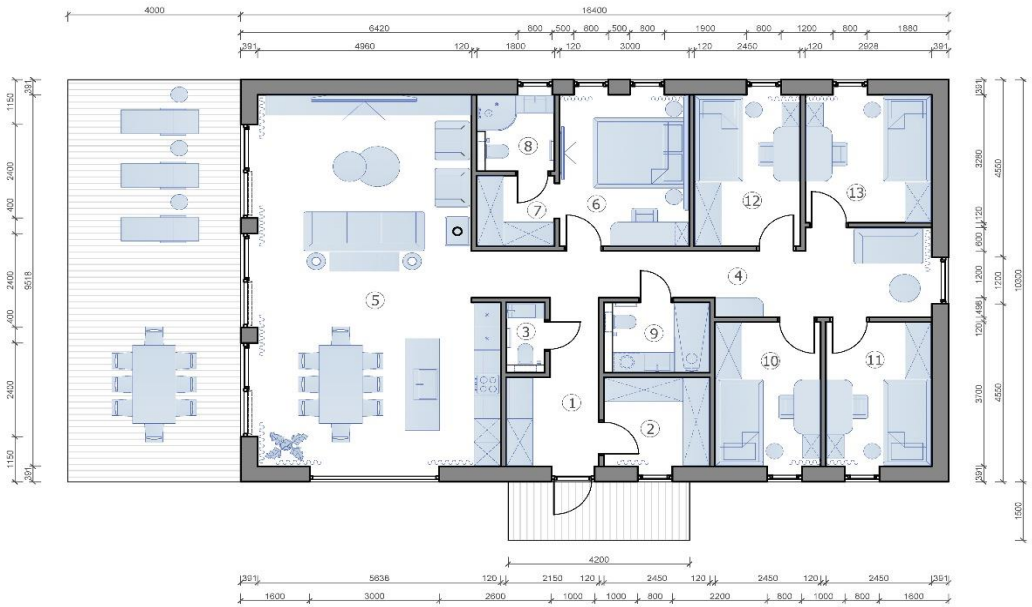
Not included: Foundation, delivery, crane and scaffolding, interior finishing, electrical wiring, water supply, sewerage, heating and air conditioning.

House - 1 floor, 5 bedrooms, 3 bathrooms, kitchen - living room 50.1 m2.



Plan 1:75 (A-3)

ROOM LAYOUT		
Nº	room name	area, m2
1	Hallway	7,2
2	Wardrobe	5,6
3	Bathroom	1,6
4	Hall	17,0
5	Living room studio	50,1
6	Bedroom	11,6
7	Wardrobe	3,3
8	Bathroom	3,5
9	Bathroom	4,4
10	Bedroom	9,1
11	Bedroom	9,1
12	Bedroom	9,5
13	Bedroom	9,6
house area		141,6



One-storey residential house

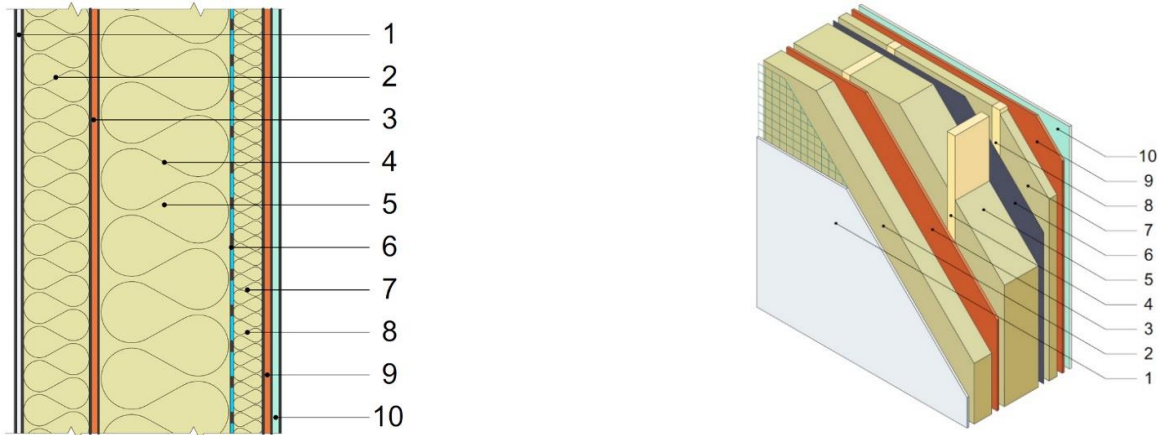
Timber frame-panel construction set

Thermal transmission losses through the external structures of the house (external walls, roof, windows and doors) comply with KfW Effizienzhaus 40+.

							0,19
Energy efficiency U, W/m²K, max.							
Internal house area, m²							141,6
	Thickness, mm	U, W/m ² K	Area, m ² / Number, pcs	Price, m ² /price, pcs			Total
External walls, plaster, painting:							
IZOVAT basalt insulation, OSB 3, beams, plasterboard, finishing	387	0,11	112,05	€ 152	€		17 081
External walls ventilated facade:							
IZOVAT basalt insulation, OSB 3, beams, plasterboard, finishing	337	0,16	18,00	€ 149	€		2 688
Internal walls:							
IZOVAT basalt insulation, OSB 3, beams, plasterboard	244	0,19	29,85	€ 132	€		3 950
Partitions:							
IZOVAT basalt insulation, OSB 3, beams, plasterboard	144	0,36	118,68	€ 104	€		12 389
Pitched roof:							
IZOVAT basalt insulation, OSB 3, beams, plasterboard	413	0,11	187,91	€ 150	€		28 196
Windows, roller shutters:							
Rehau Synego profile Automatic overhead window slides	-	0,68	32,97	€ 597	€		19 673
Facade and roof finishing materials:							
decorative facade plaster, facade paint, ceramic tiles, drainage system			141,60	€ 96	€		13 523
Assembly of the house frame			141,60	€ 85	€		12 036
Exterior finishing of the facade and roof			141,60	€ 119	€		16 850
Total cost with assembly				€			126 387
Price per m² of internal area				€			893

Exterior walls - plaster facade

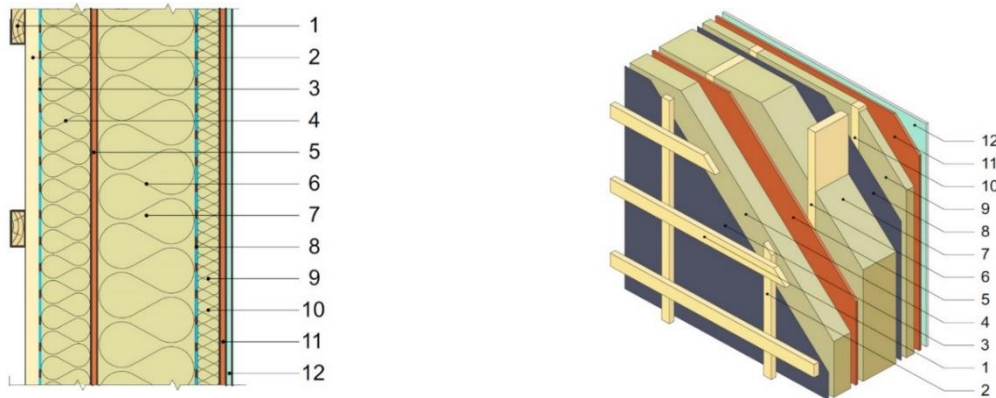
Thickness, mm	386,60
Energy efficiency U, W/m ² K	0,11
Area, m ²	145,02
Openings, m ²	32,97
Calculation area, m²	112,05



Materials		Thickness, mm
Ceresit CT 85 FLEX Mortar facade plaster	1	10,00
Ceresit CT325 Glass-Fibre Mesh 160 g /m ²		
Basalt insulation material IZOVAT, 135 kg/m ³ 100 mm	2	100,00
OSB 3 Egger 12 mm	3	12,00
Beam 45*195 mm C24 CE	4	
Basalt insulation material IZOVAT, 40 kg/m ³ 100 mm	5	195,00
Basalt insulation material IZOVAT, 40 kg/m ³ 100 mm		
Vapour barrier	6	0,10
Basalt insulation material IZOVAT, 40 kg/m ³ 50 mm	7	45,00
Lath 45x45 mm	8	
OSB 3 Egger 12 mm	9	12,00
Plasterboard	10	12,50
Total thickness, mm		386,60
Total cost	€	17 080,72
Price per m² calculated area	€	152,44

External walls - ventilated facade

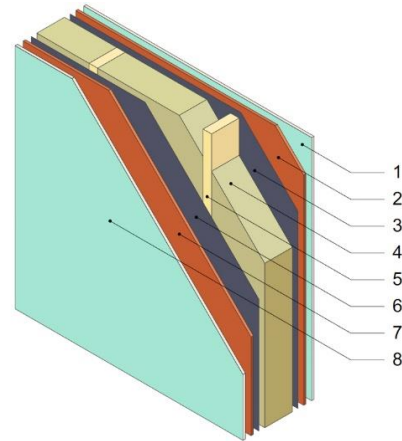
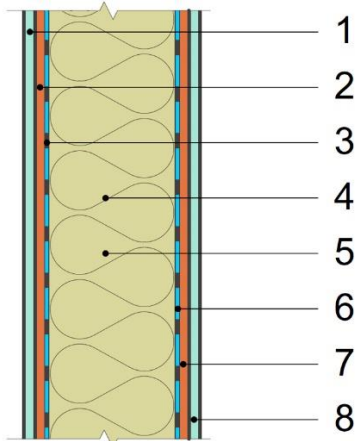
Thickness, mm	336,70
Energy efficiency U, W/m ² K	0,16
Area, m ²	18,00
Openings, m ²	0,00
Calculation area, m²	18,00



Materials	Thickness, mm
Horizontal lath 30x70 mm	1 30,00
Vertical lath 30x50mm	2 30,00
Super defusion membrane	3 0,10
OSB 3 Egger 12 mm	5 12,00
Beam 45*195 mm C24 CE	6
Basalt insulation material IZOVAT, 40 kg/m ³ 100 mm	7 195,00
Basalt insulation material IZOVAT, 40 kg/m ³ 100 mm	
Vapour barrier	8 0,10
Basalt insulation material IZOVAT, 40 kg/m ³ 50 mm	9 45,00
Lath 45x45 mm	10
OSB 3 Egger 12 mm	11 12,00
Plasterboard	12 12,50
Total thickness, mm	336,70
Total cost	€ 2 688,31
Price per m² calculated area	€ 149,35

Inner walls

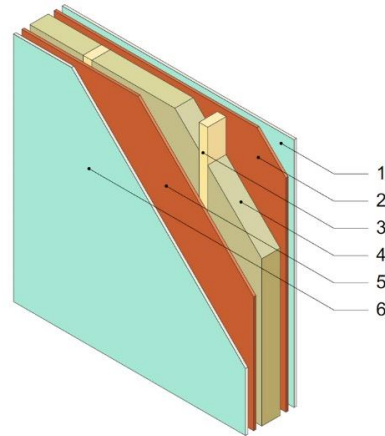
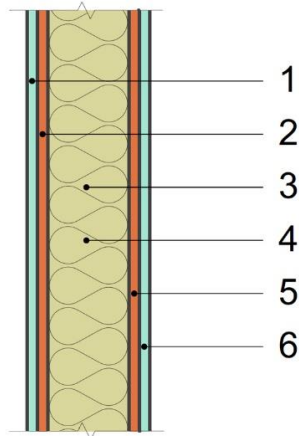
Thickness, mm	244,20
Energy efficiency U, W/m ² K	0,19
Area, m ²	29,85
Openings, m ²	0,00
Calculation area, m²	29,85



Materials	Thickness, mm
Plasterboard	1 12,50
OSB 3 Egger 12 mm	2 12,00
Vapour barrier	3 0,10
Beam 45*95 mm C24 CE	4
Basalt insulation material IZOVAT, 40 kg/m ³ 100 mm	5 195,00
Basalt insulation material IZOVAT, 40 kg/m ³ 100 mm	5
Vapour barrier	6 0,10
OSB 3 Egger 12 mm	7 12,00
Plasterboard	8 12,50
Total thickness, mm	244,20
Total cost	€ 3 950,21
Price per m² calculated area	€ 132,34

Partitions

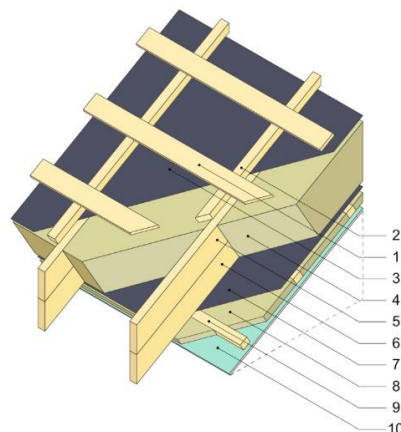
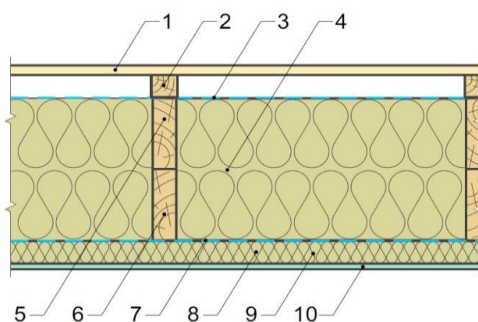
Thickness, mm	144,00
Energy efficiency index, U, W/m ² K	0,36
Area, m ²	137,05
Openings, m ²	18,37
Calculation area, m²	118,68



Materials	Thickness, mm	
Plasterboard	1	12,50
OSB 3 Egger 12 mm	2	12,00
Beam 45*95 mm C24 CE	3	95,00
Basalt insulation material IZOVAT, 40 kg/m ³ 100 mm	4	
OSB 3 Egger 12 mm	5	12,00
Plasterboard	6	12,50
Total thickness, mm		144,00
Total cost	€	12 388,82
Price per m² calculated area	€	104,39

Pitched roof

Thickness, mm	412,70
Energy efficiency index, U, W/m ² K	0,11
Calculation area, m²	187,91



Materials	Thickness, mm	
Lath 20x100 mm	1	20,00
Lath 45x50 mm	2	45,00
Super defusion membrane	4	0,10
Beam 45*145 mm C24 CE	5	
Beam 45*145 mm C24 CE	6	
Basalt insulation material IZOVAT, 40 kg/m ³ 100 mm		290,00
Basalt insulation material IZOVAT, 40 kg/m ³ 100 mm	7	
Basalt insulation material IZOVAT, 40 kg/m ³ 100 mm		
Vapour barrier	8	0,10
Basalt insulation material IZOVAT, 40 kg/m ³ 50 mm	9	45,00
Lath 45x50 mm	10	
Plasterboard	11	12,50
Total thickness, mm		412,70
Total cost	€	28 196,32
Price per m² calculated area	€	150,05

Windows

Calculation area, m²

32,97



Materials

Rehau Synego window profile (installation in wall panels included)

Profile thickness 80mm (depends on window openings)	€	13 528,93
Glazing 4i-16ArTep-4-16ArTep-4i, 44mm Ug=0.57 W/m ² K		
Fittings MACO, G-U		
Alenor sealing tapes	€	704,13
Aluminium window sills	€	370,44
Automatic window slides, anthracite colour	€	5 069,76
Average heat losses of window constructions U _w , W/m ² K 0.68		
Total cost	€	19 673,26
Price per m² calculated area	€	596,70

Facade and roof finishing

Calculated facade area, paint, m ²	145,67
Calculated facade area, planking, m ²	23,40
Calculated roof area, m ²	187,91



Materials

Decorative facade plaster	€	3 422,10
Facade paint	€	622,20
Wooden planking	€	649,67
Ceramic roof tiles (set)	€	6 421,20
Drainage system	€	2 407,95
Total cost	€	13 523,13